

PSE-1000GU

802.3at 30W Gigabit PoE Adapter

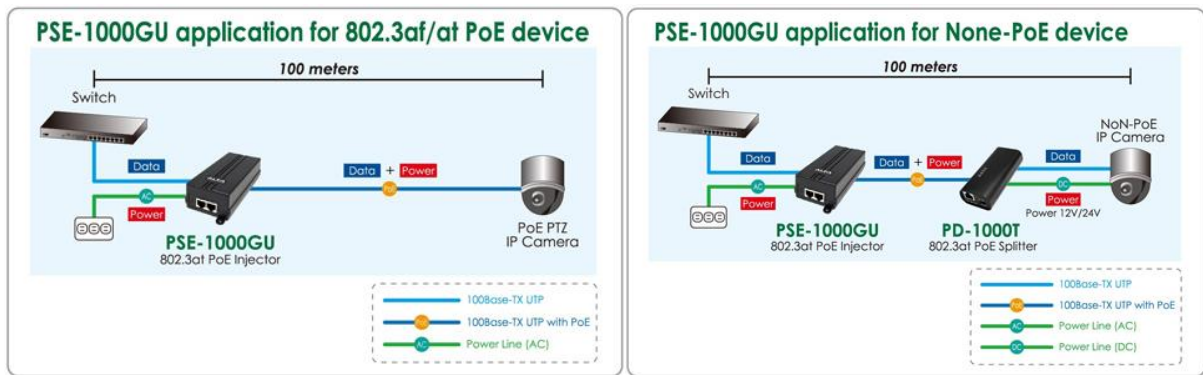


The PSE-1000GU is 802.3at 30W Gigabit PoE adapter. It also backward compatible with 802.3af.

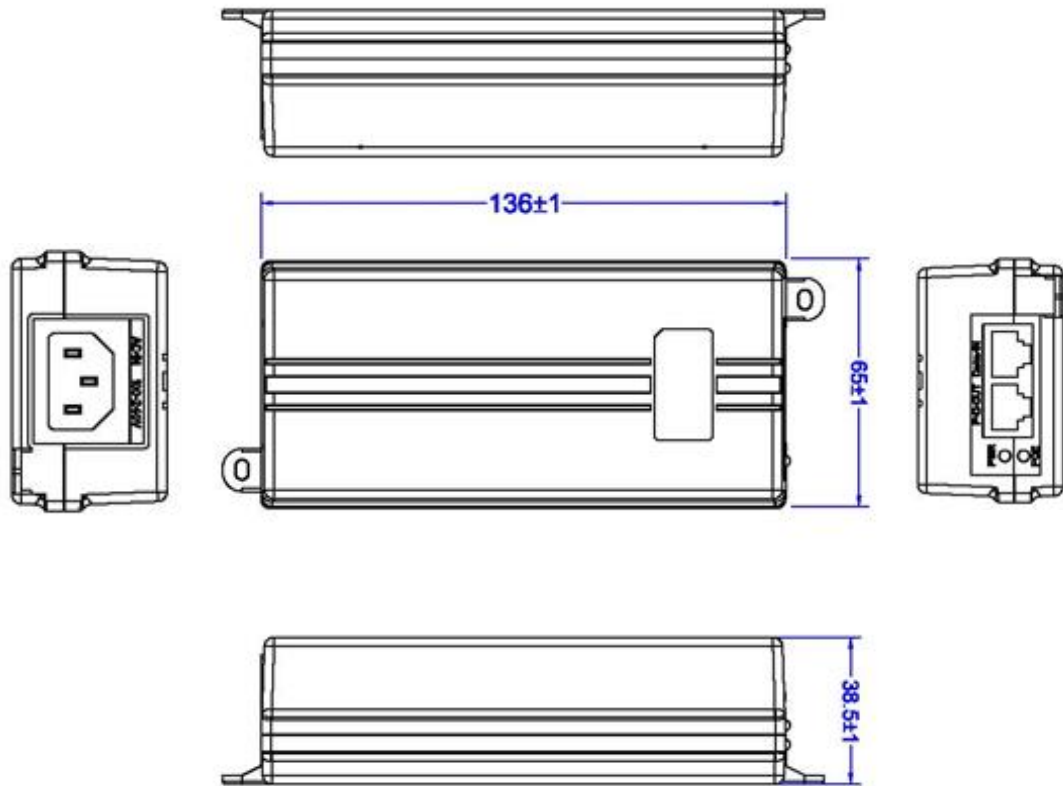
Features

- Gigabit Ethernet Speeds
- Desktop, shelf and friendly wall mounting
- Up to 30W power
- User for access point, VoIP and IP camera

Usage Scenario



PSE-1000GU



Specification

Standard	IEEE802.3 10Base-T IEEE802.3u 100Base-T IEEE802.3ab 1000Base-T IEEE802.3af IEEE802.3at
Ethernet Data Rate	10/100/1000Mbps
LED	Power LED / PoE LED
Pin Define	1/2 (+) , 3/6 (-)
Input Power	90 to 264Vac , 750mA
Output Power	48VDC 600mA (30Watt)
Dimension	136 x 65 x 38.5mm
Weight	168g
Reliability	MTBF: 50,000hrs @25°C
Temperature	Operation: -30 ~ 60°C Storage: -45 ~ 85°C
Certificated	UL/CUL, CB, GS/LVD, FCC. CE