

Parabolic antenna JRMC - 400 -10/11

Antenna JRMC – 400 – 10/11 is designed for microwave links at the frequency band 10 and 11 GHz. Precise performance with deep reflector dish complies with standard ETSI class 3.

Electrical parameters:

Frequency range	10.0 – 12.0 GHz
Gain - Low frequency	29.5 ± 1 dBi
Gain - High frequency	30.5 ± 1 dBi
Front to back ratio	≥ 55.5 dB
Beamwidth _{-3 dB}	4.6° ± 1°
Return loss	≥ 18 dB _{/10.3 – 11.7 GHz}
Polarization	Linear, vertical/horizontal
ETSI standard	Class 3 ETSI EN 302-217-4-2 v1.5.1

Mechanical parameters:

Parabola	Ø 400 mm, Aluminium alloy
Radome	UV steady plastic ABS
Input / output	Circle waveguide Ø 19 mm
Installation for mast	Ø 40 - 120 mm
Operating wind load	180 km/h (112 mph)
Survival wind load	240 km/h (149 mph)
Weight of antenna	4.0 kg (8.8 lbs.)
of holder	3.2 kg (7.0 lbs.)
Shipping dimensions	
of antenna	475 x 475 x 350 mm / 5.2 kg (11.5 lbs.)
of holder	180 x 170 x 165 mm / 3.5 kg (7.7 lbs.)

Parabolic antenna JRMC - 400 -10/11

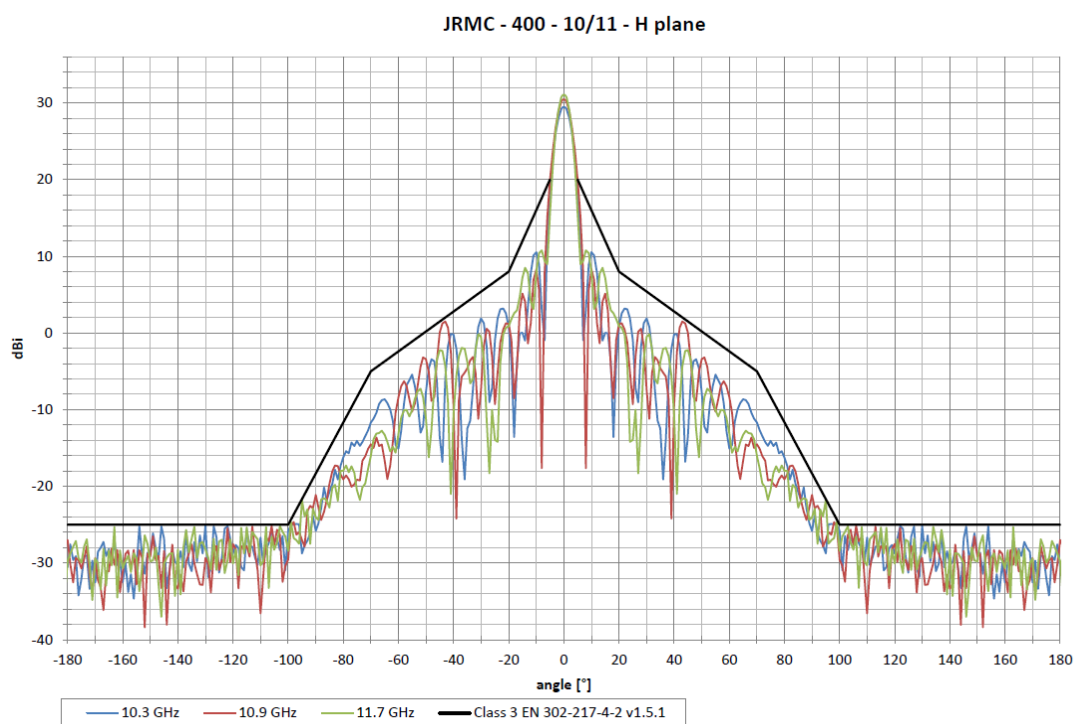
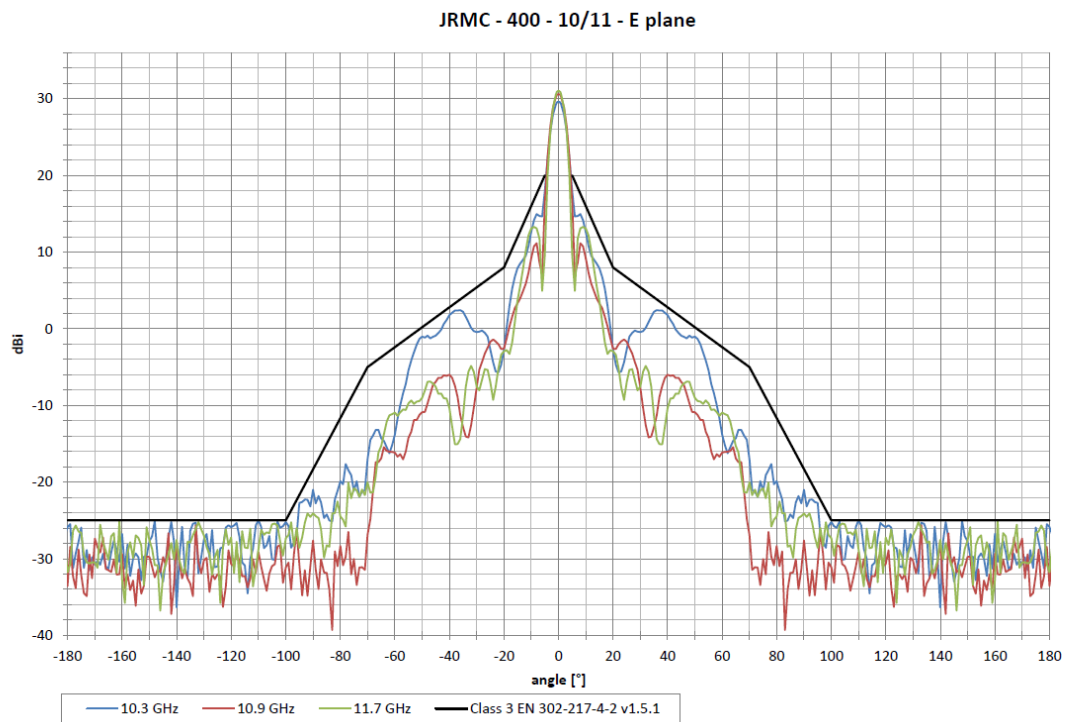
Usage:

- deep parabola for better parameters
- **easy to assembly:** first the holder and then the antenna only by 2 screws
- **fine setting** elevation (of gradient) and azimuth $\pm 20^\circ$
- extreme wind stability

The antenna is supplied with a holder that allows easy mounting on a mast. The holder can be installed separately on the mast. Subsequently, you can simply hang up the antenna with microwave unit into it. The holder allows precise adjustment in both directions. Ready for right and left side mounting.

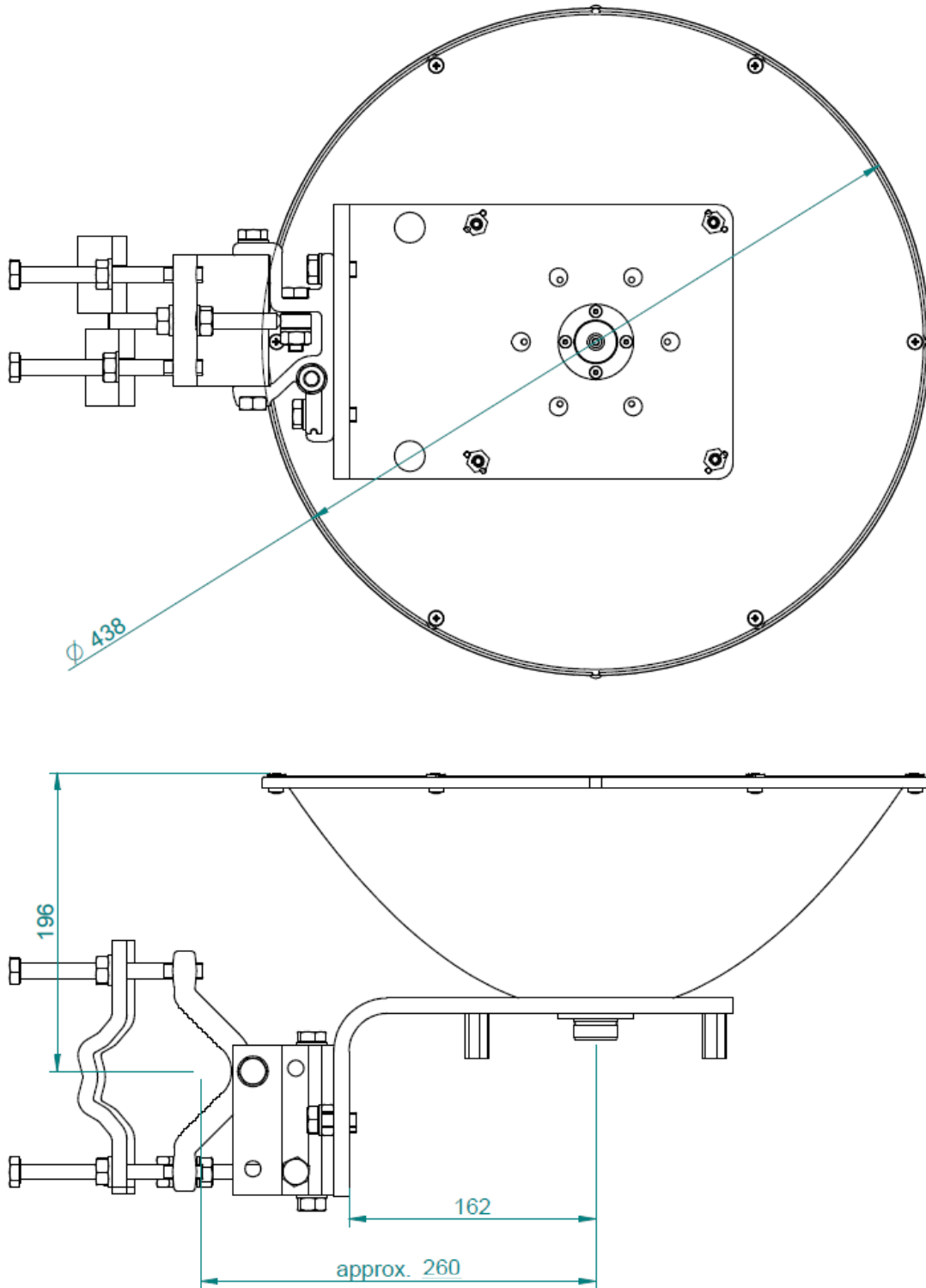
Parabolic antenna JRMC - 400 - 10/11

Measurement of radiation pattern:



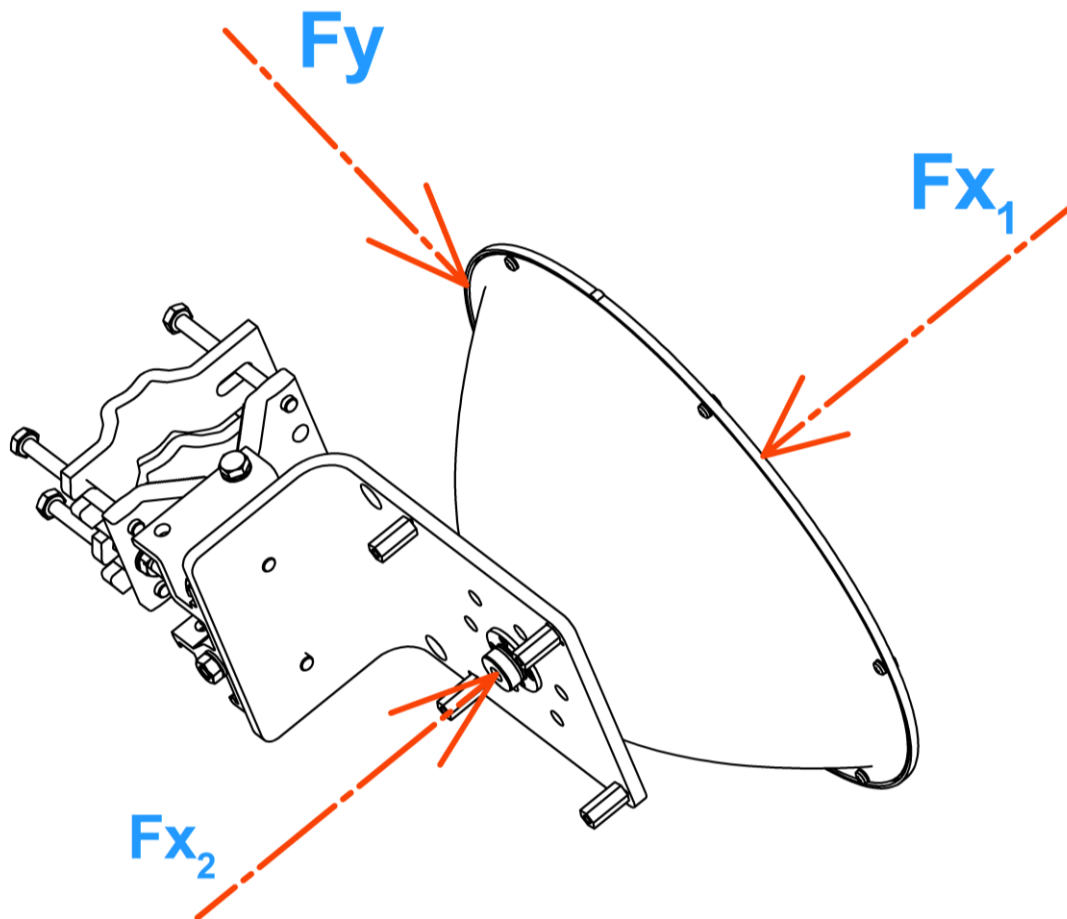
Parabolic antenna JPMC - 400 -10/11

Outline:



Parabolic antenna JPMC - 400 -10/11

Wind loading:



Wind Loading at 200 km/h (125 mph)		
Direction	Force [N]	Force [lbf]
Fx1	344	88
Fx2	313	70
Fy	17	4